
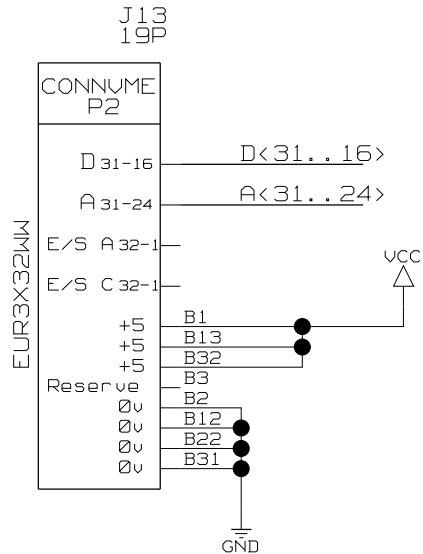
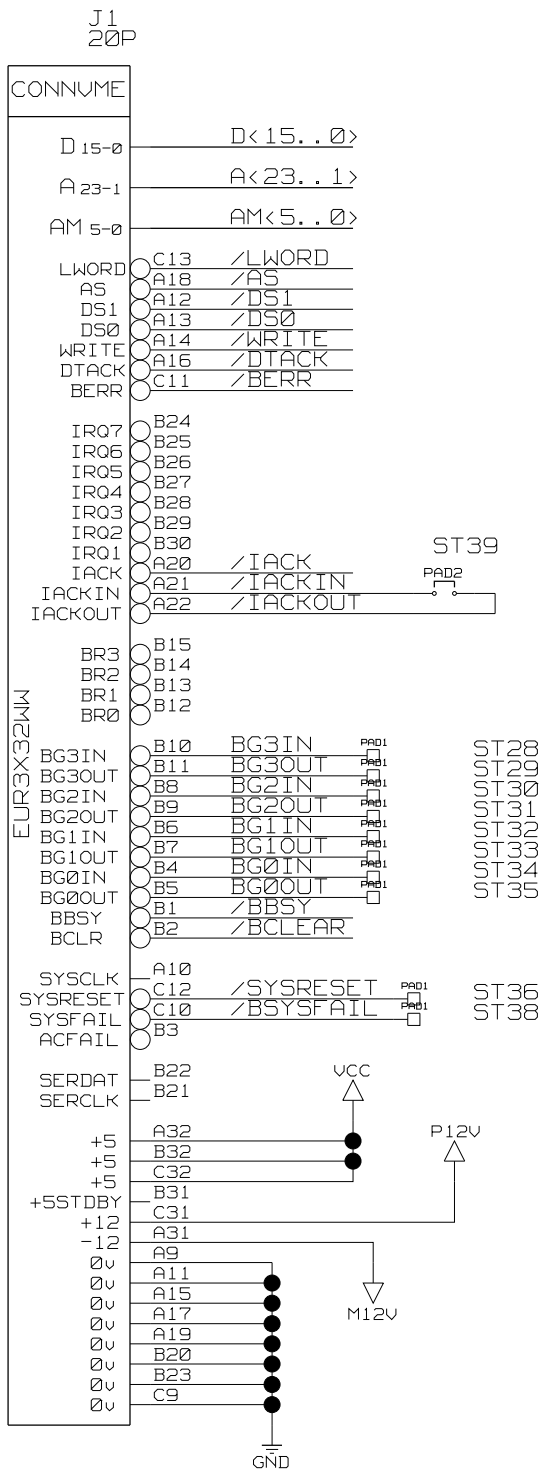


EDMS REF: X		VERSION: X		PCB: X		SYSTEM: X	
REF: UME-PC		DRAWING		TITLE: SMART		PAGE: 3 OF 11	
 DIV. EP/ESS 1211 GENEVA 23 SWITZERLAND		ABBREV: SMART		BOARD CONN		LAST_MODIFIED=Fri Feb 22 16:31:15 2002	
		DESSIN: ROLLI		ETUDE: ROLLI		DATE: 08-DEC-00	



EDMS REF: X

VERSION: X

PCB: X

SYSTEM: X

REF:

DRAWING

TITLE: SMART

ABBREV: SMART

PAGE: 1

LAST_MODIFIED=Fri Feb 9 09:21:17 2001

DESSIN: SPRIET

ETUDE: SPRIET

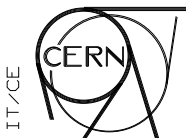
DATE:

4

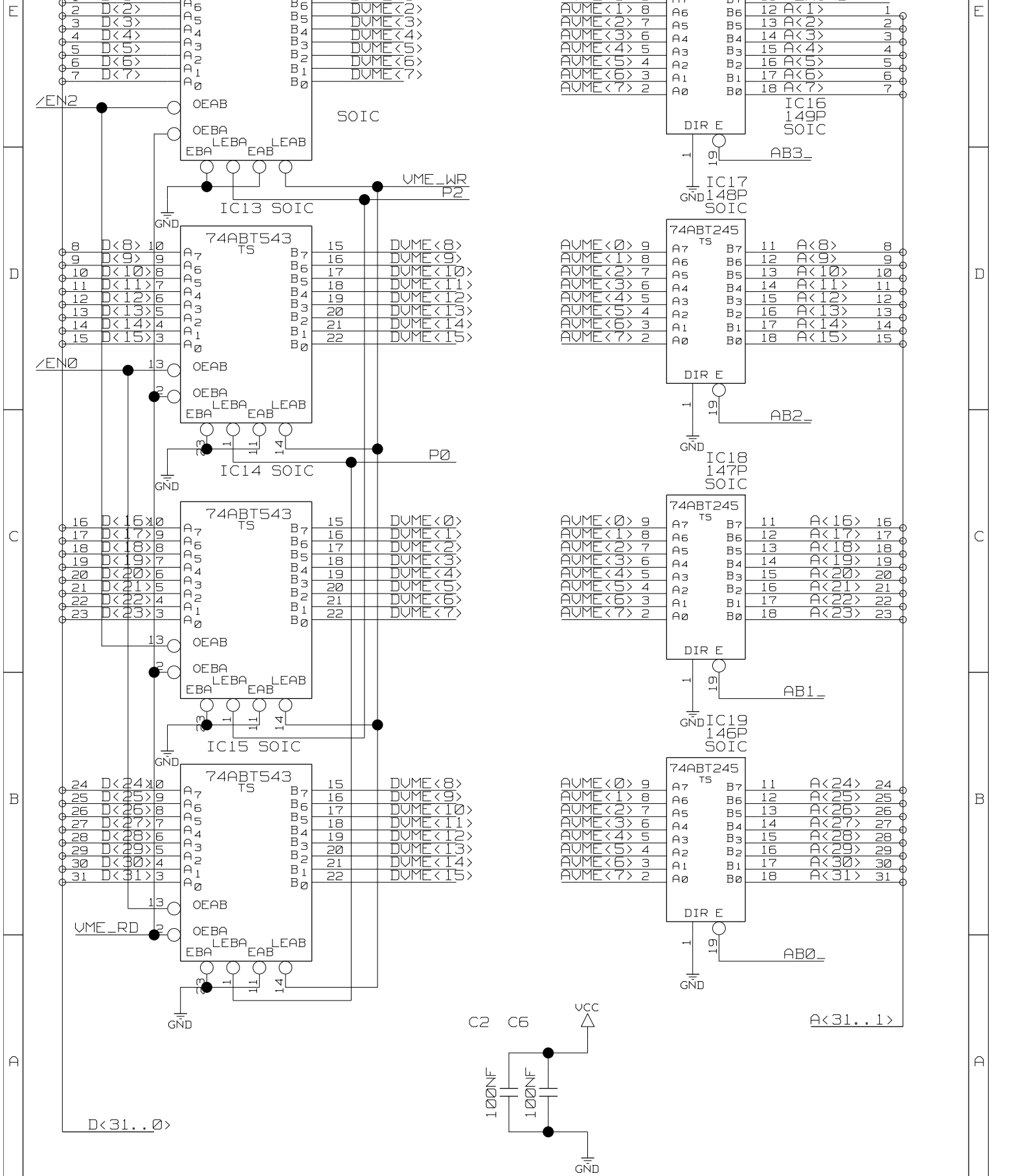
3


2

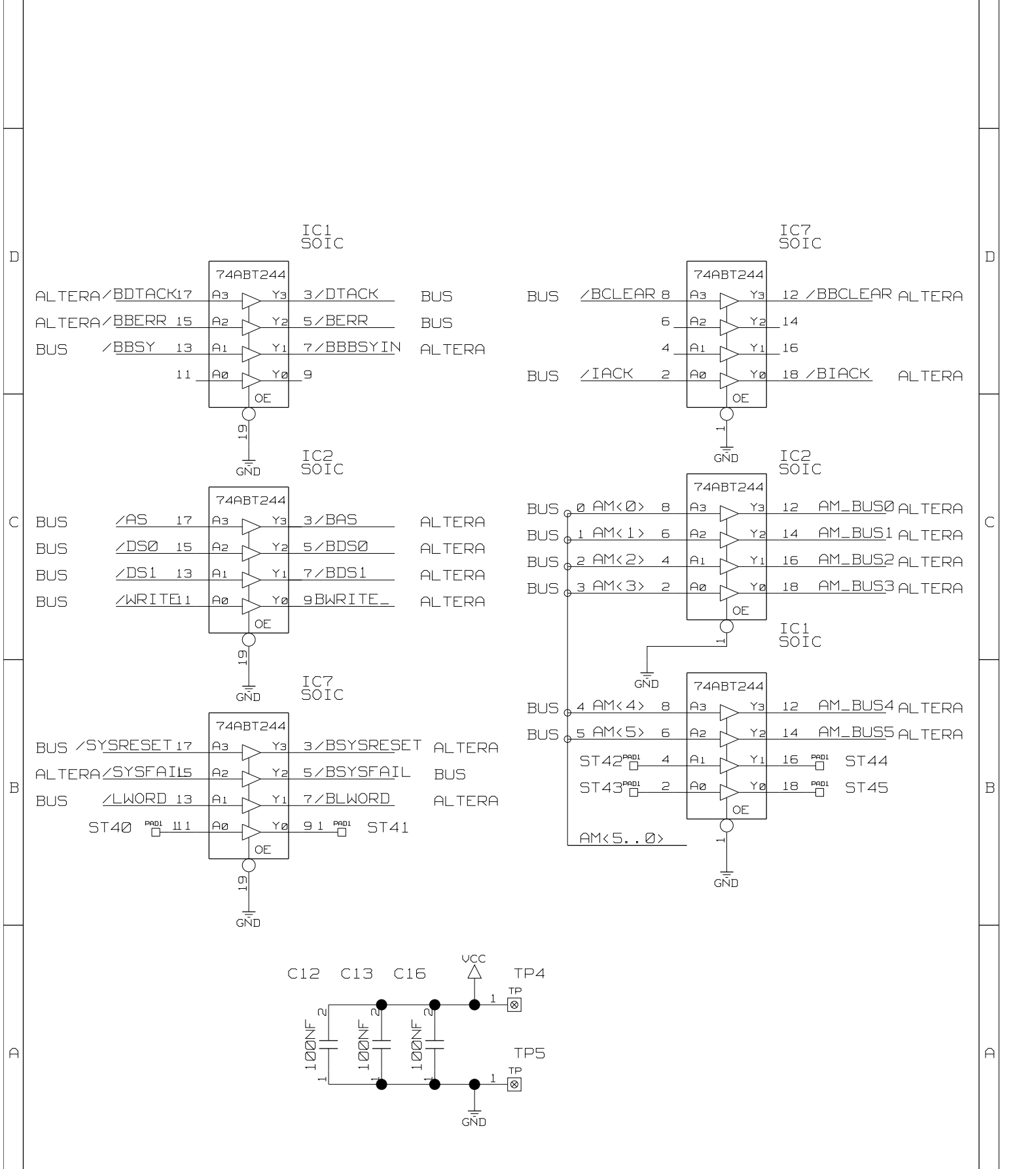
1




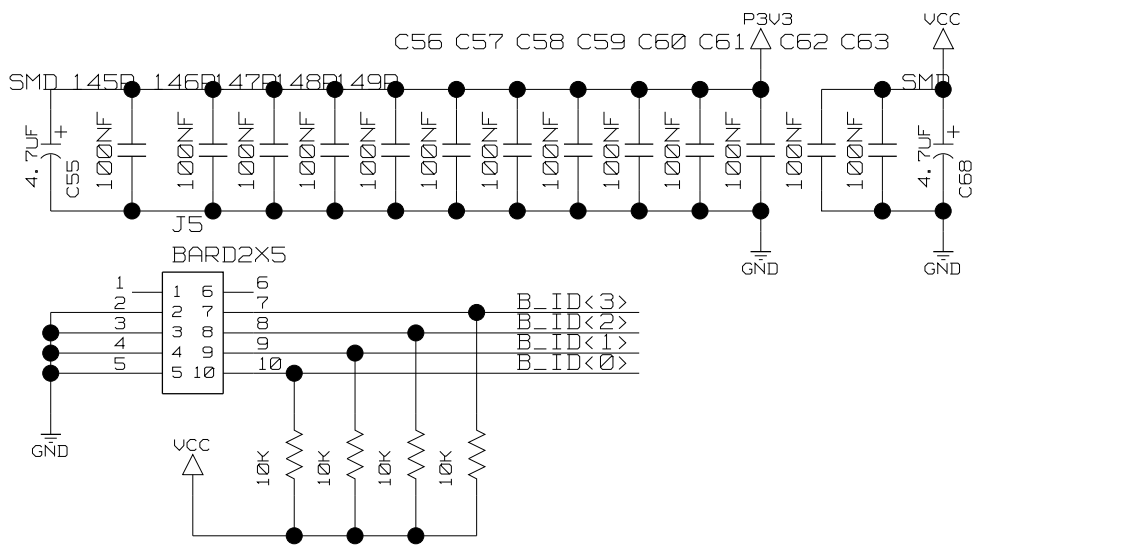
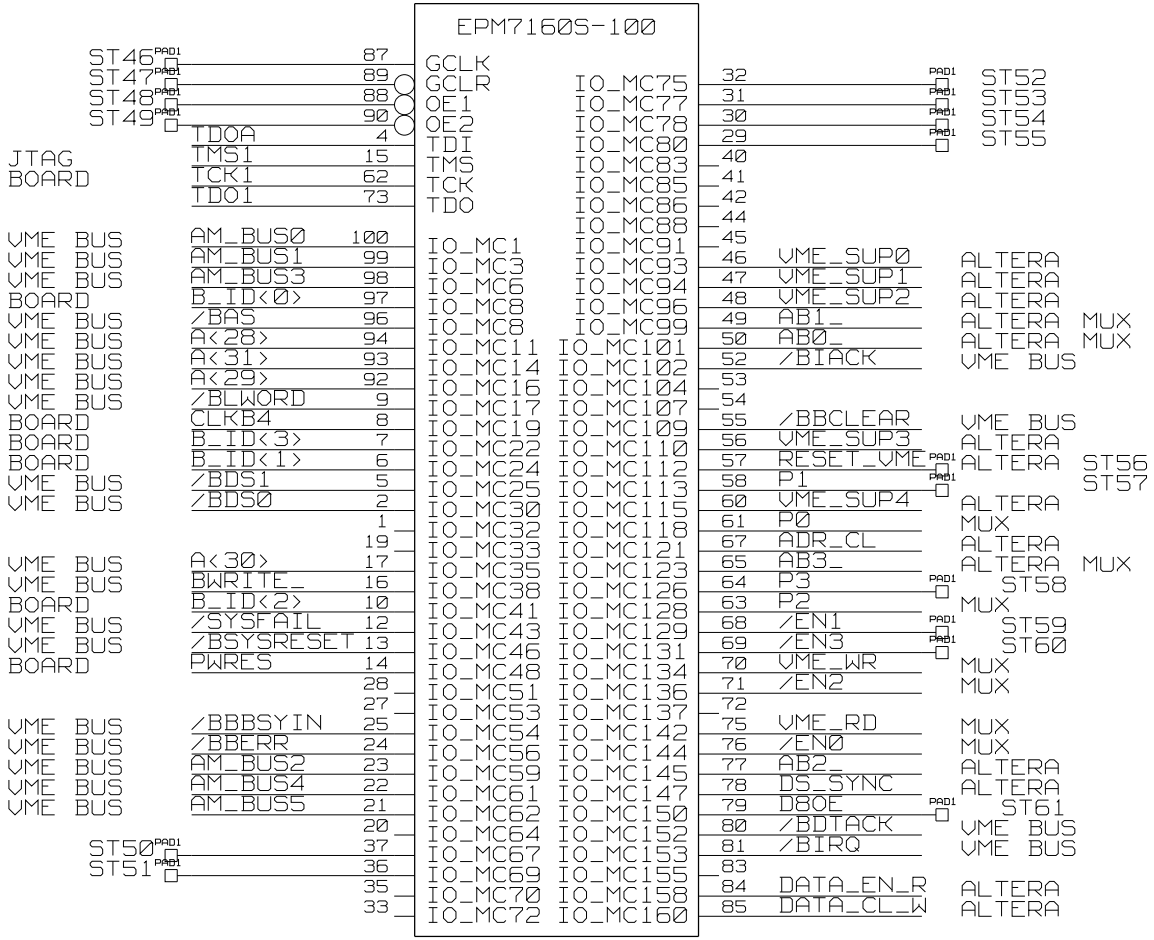
DIV.
1211 GENEVA 23
SWITZERLAND

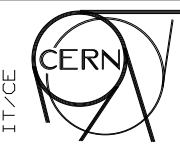


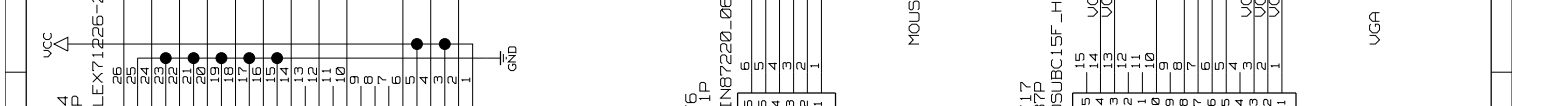
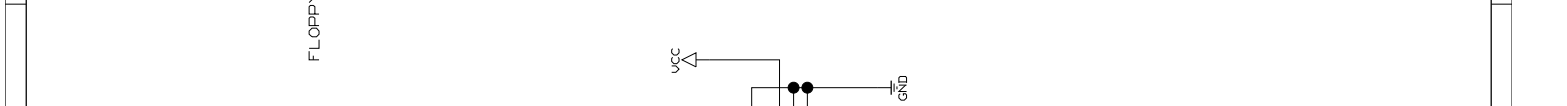
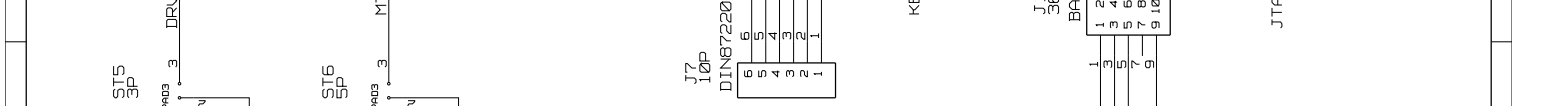
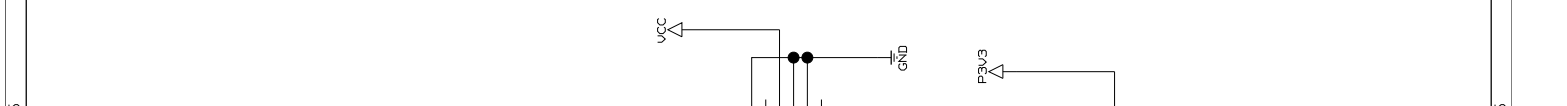
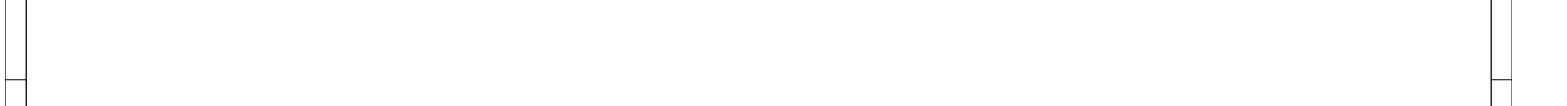
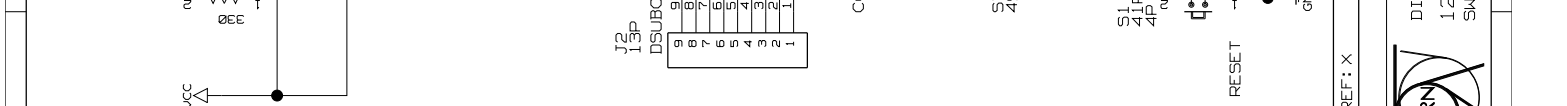
EDMS REF: X		VERSION: X		PCB: X		SYSTEM: X	
REF: _____		DRAWING					
 DIV. 1211 GENEVA 23 SWITZERLAND		TITLE: SMART				PAGE: 2	
		LAST_MODIFIED=Wed Feb 14 11:31:45 2001					
DESSIN: SPRIET			ETUDE: SPRIET		DATE:		
4		3		2		1	

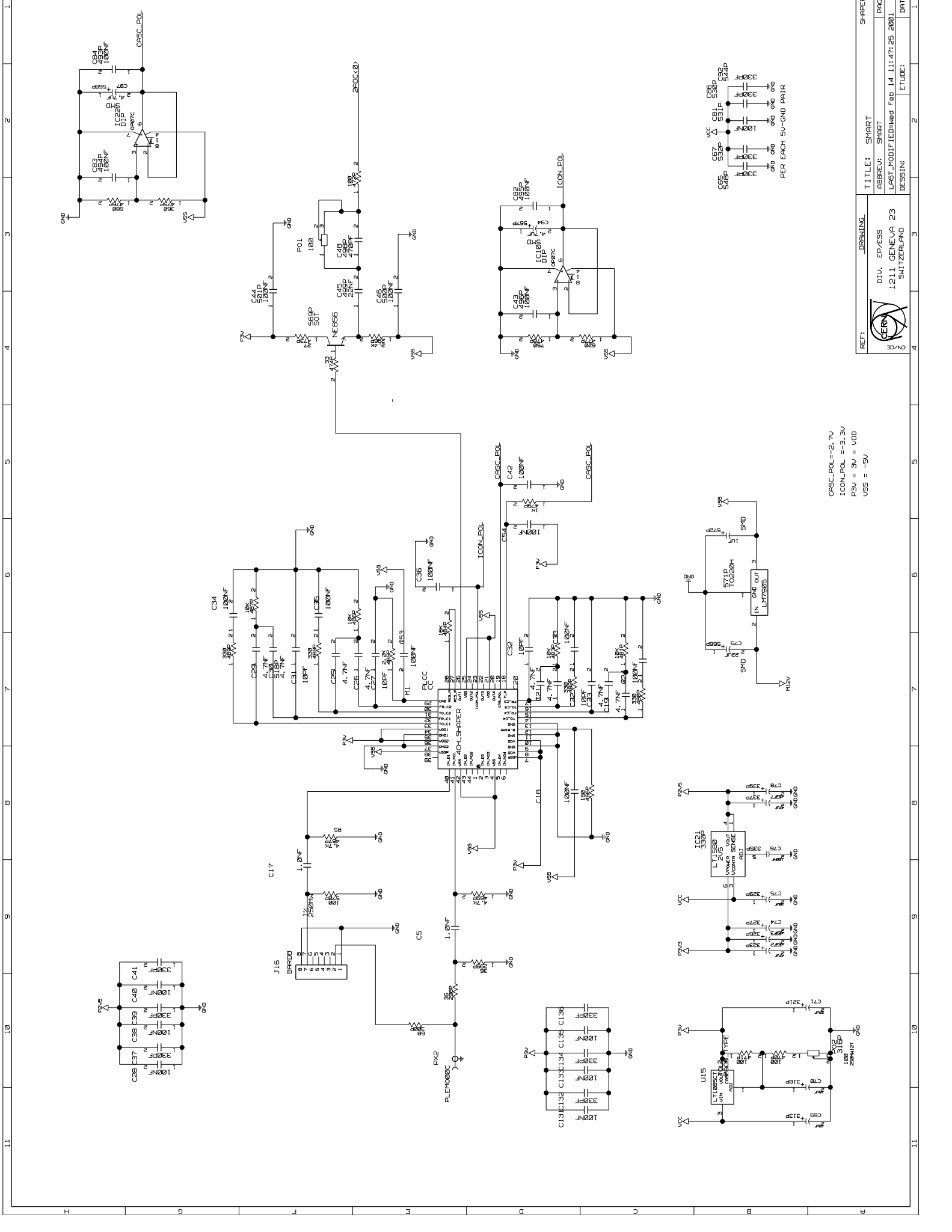


EDMS REF: X		VERSION: X		PCB: X		SYSTEM: X	
REF:		DRAWING					
 DIV. 1211 GENEVA 23 SWITZERLAND		TITLE: SMART				PAGE: 3	
		LAST_MODIFIED=Wed Feb 14 11:33:47 2001					
DESSIN: SPRIET			ETUDE: SPRIET		DATE:		




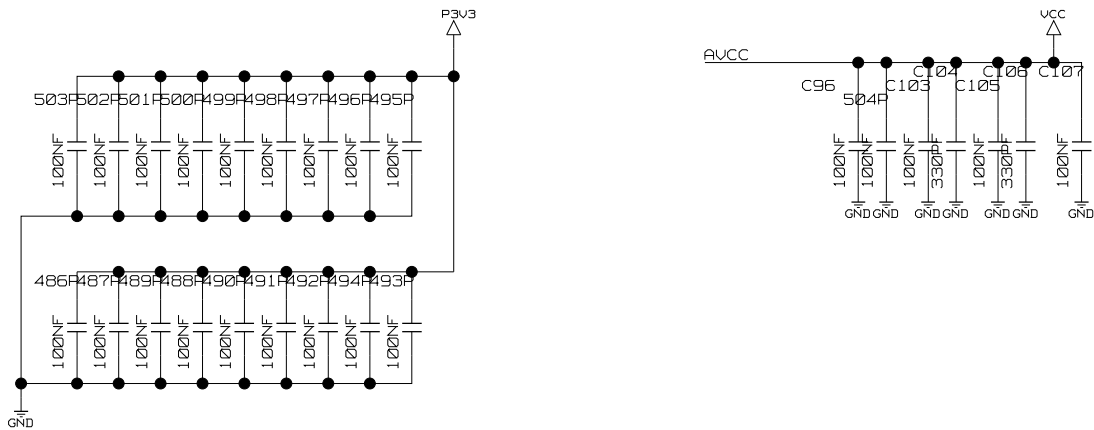
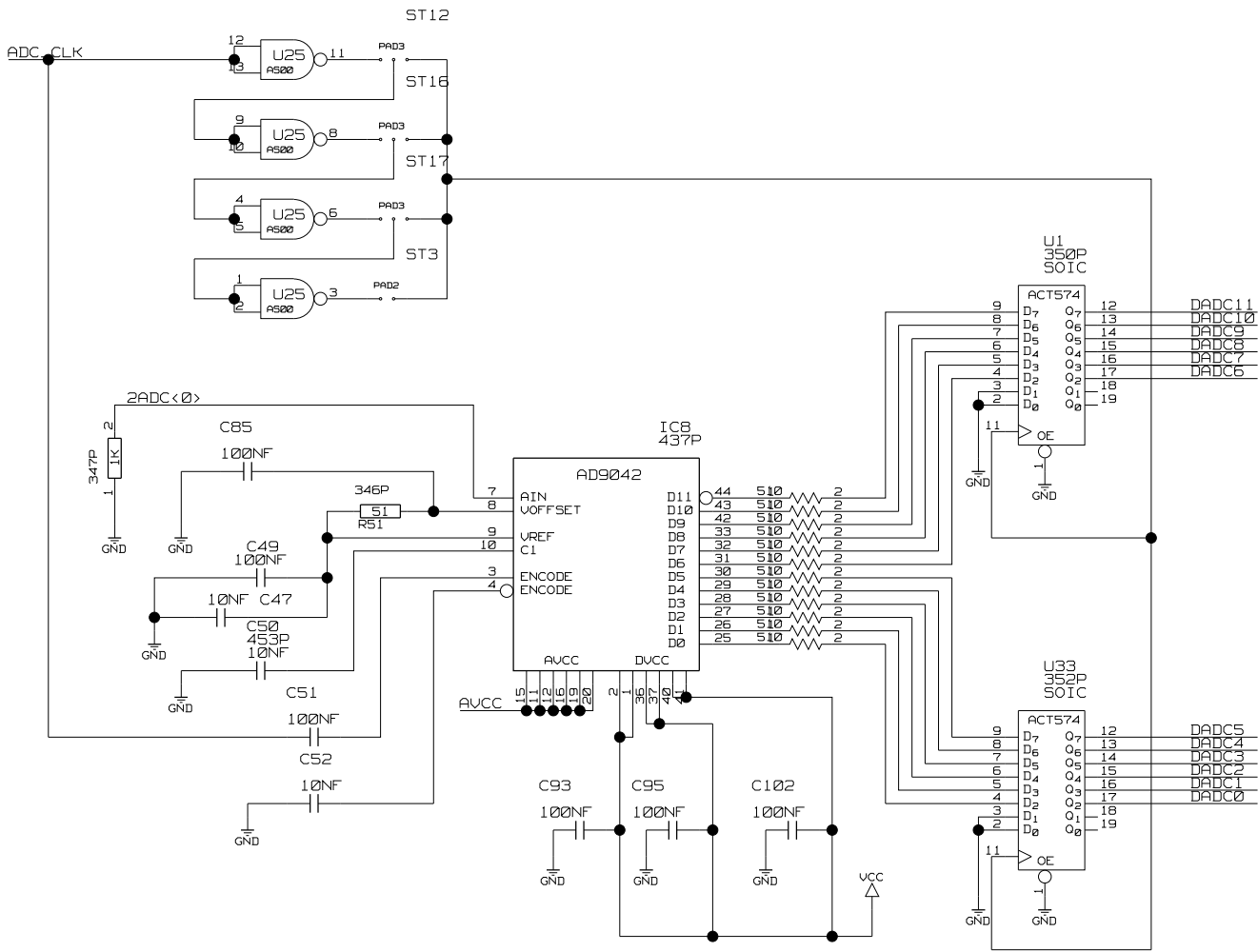
EDMS REF: X	VERSION: X	PCB: X	SYSTEM: X
REF:	DRAWING		
 DIV. 1211 GENEVA 23 SWITZERLAND	TITLE: SMART		PAGE: 4
	ABBREVI: SMART		
	LAST_MODIFIED=Thu Feb 15 17:37:00 2001		
DESSIN: SPRIET	ETUDE: SPRIET	DATE:	
4	3	2	1




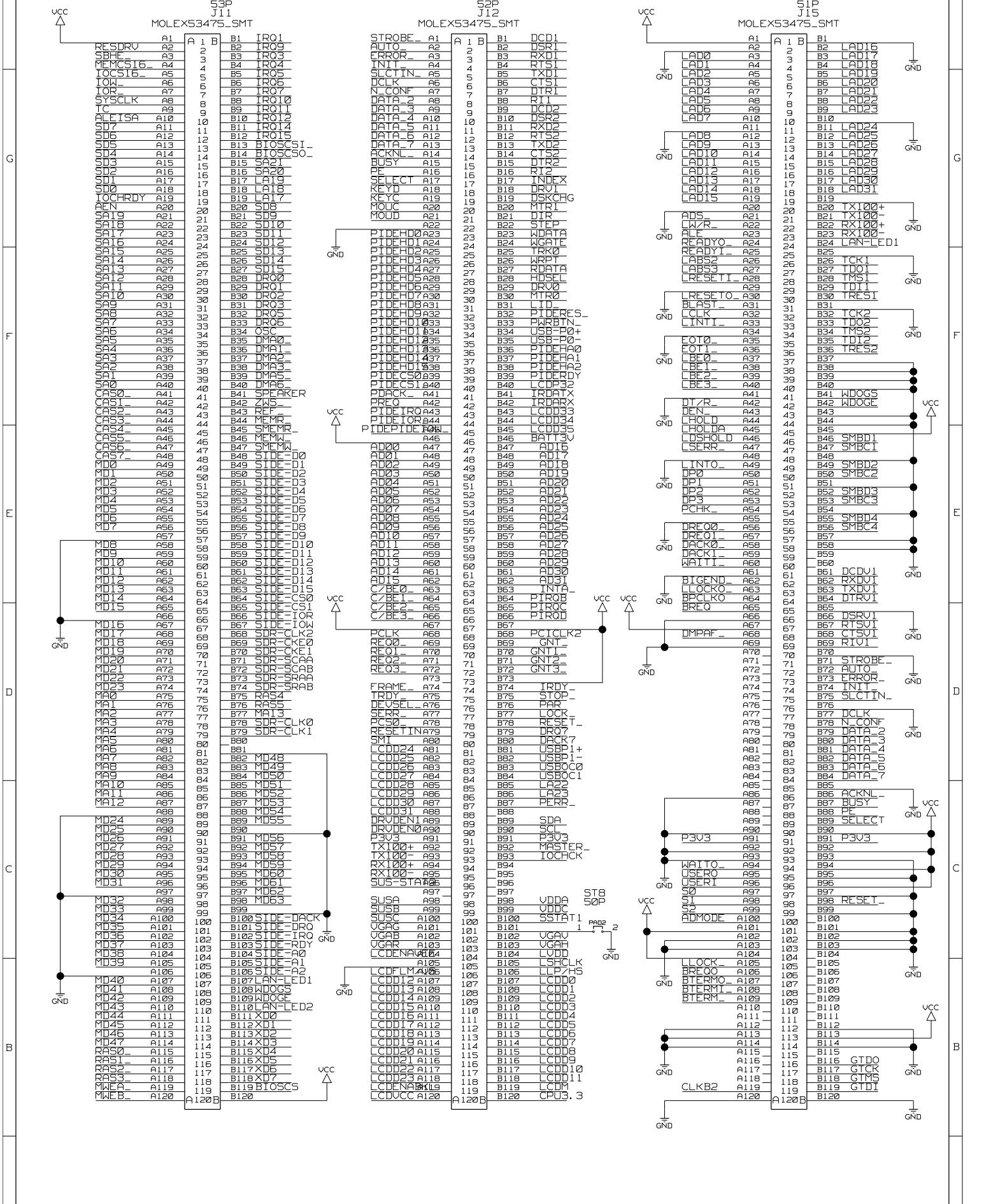



CASC_POL = -2.7V
 ICONL_POL = -3.3V
 PSU = 3V = VDD
 VSS = -5V

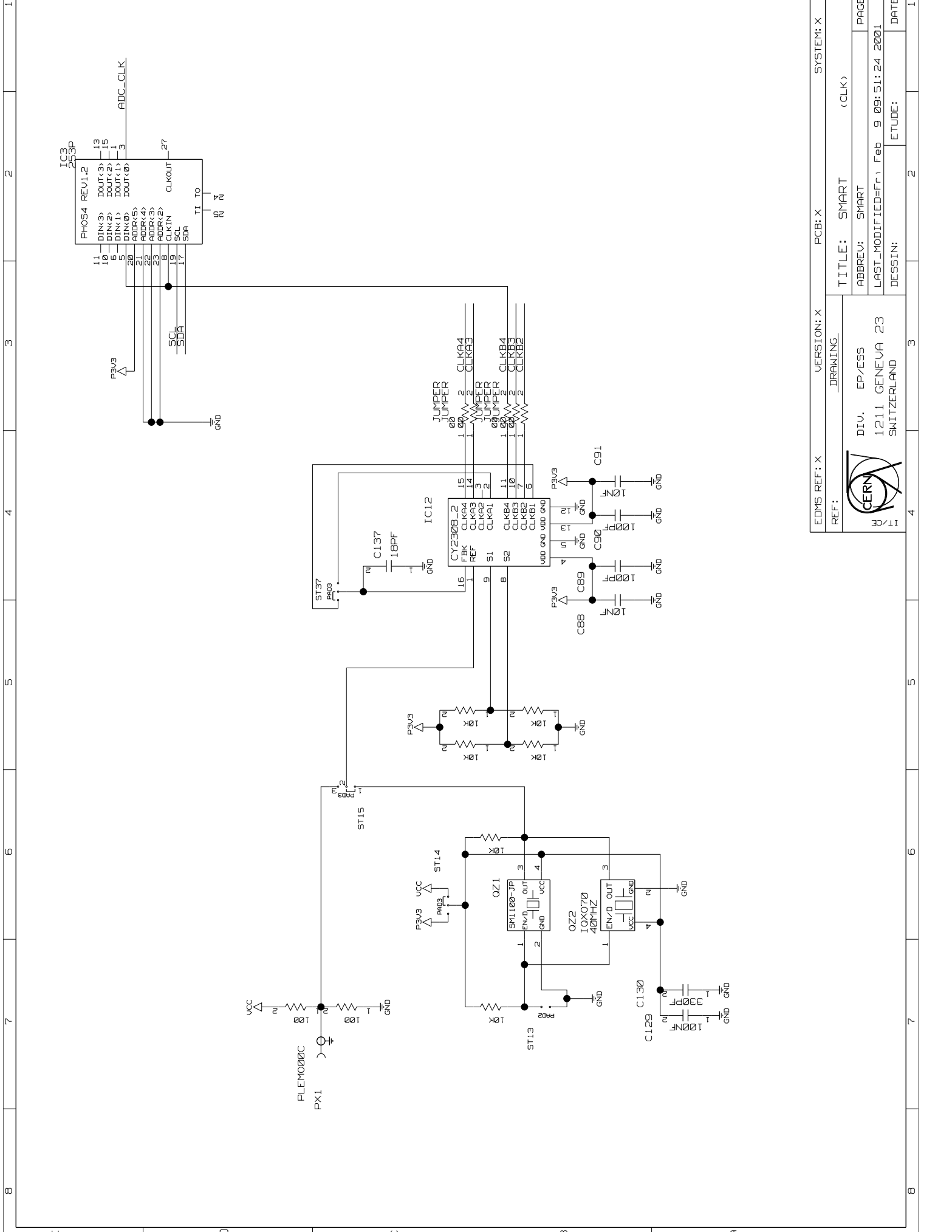
REF: 	DTU, EP/ESS	1211 GENEVA 23
PROJECT: CH-SHAPER	PROJECT: CH-SHAPER	PROJECT: CH-SHAPER
LAST_MODIFIED: 2001.06.14 11:47:25	ETUDE:	DATE: 06.14.2001



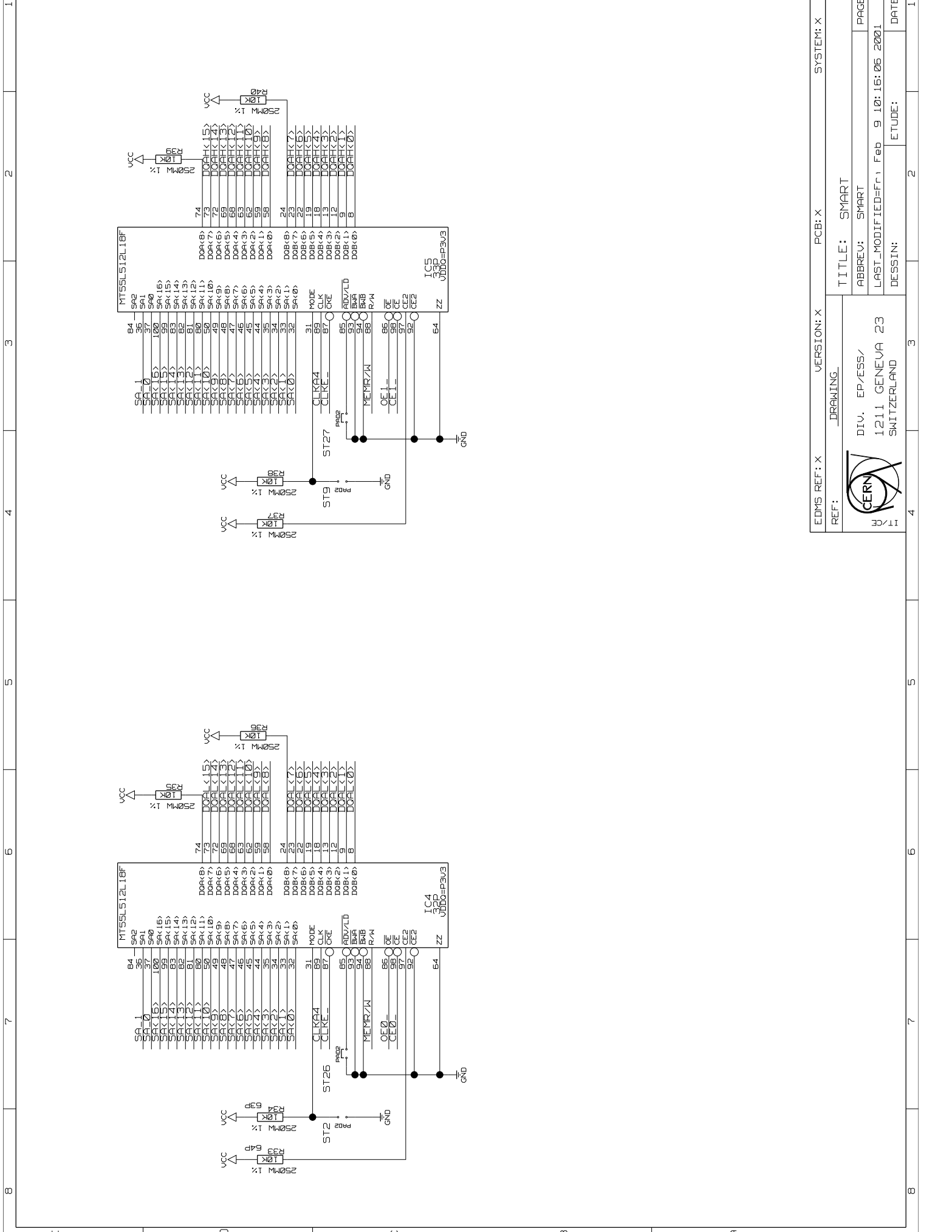
EDMS REF: X		VERSION: X		PCB: X		SYSTEM: X	
REF:		DRAWING		TITLE: SMART			
 DIV. EP/ESS 1211 GENEVA 23 SWITZERLAND		ABBREV: SMART		PAGE: 6 OF 11			
		LAST_MODIFIED=Wed Feb 14 14:21:18 2001					
DESSIN:		ETUDE:		DATE: 14 DEC 00			




EDMS REF: X		VERSION: X		PCB: X		SYSTEM: X	
REF: UME-PC		DRAWING		TITLE: SMART		PAGE: 8 OF 11	
		DIV. EP/ESS		ABBREV: SMART		LAST_MODIFIED=Fri Apr 5 09:20:40 2002	
		1211 GENEVA 23 SWITZERLAND		DESSIN: ROLLI		ETUDE: ROLLI	
DATE		DATE: 08-DEC-00		DATE: 08-DEC-00		DATE: 08-DEC-00	



EDMS REF: X	VERSION: X	PCB: X	SYSTEM: X
REF:	DRAWING		
DIV. EP/ESS		TITLE: SMART	(CLK)
1211 GENEVA 23		ABBREV: SMART	PAGE: 9
SWITZERLAND		LAST_MODIFIED=Fri, Feb 9 09:51:24 2001	DATE: 12
		DESIGN: ETUDE:	



EDMS REF: X	VERSION: X	PCB: X	SYSTEM: X
REF: <u>DRAWING</u>	TITLE: SMART	ABBREV: SMART	PAGE: 1
		LAST_MODIFIED=Fri, Feb 9 10:16:06 2001	DATE: 13
DIV. EP/ESS/ 1211 GENEVA 23 SWITZERLAND		ETUDE:	